

SWP-25kW

I6TV20 WIND TURBINE
I6TG20 WIND TURBINE



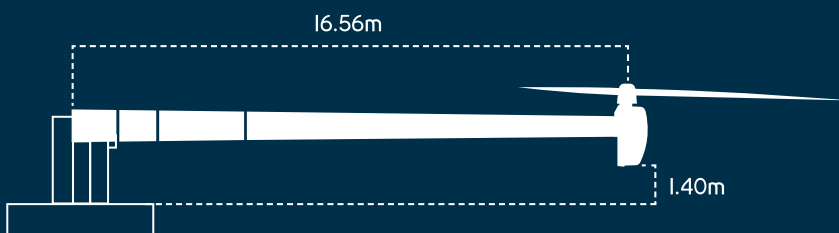
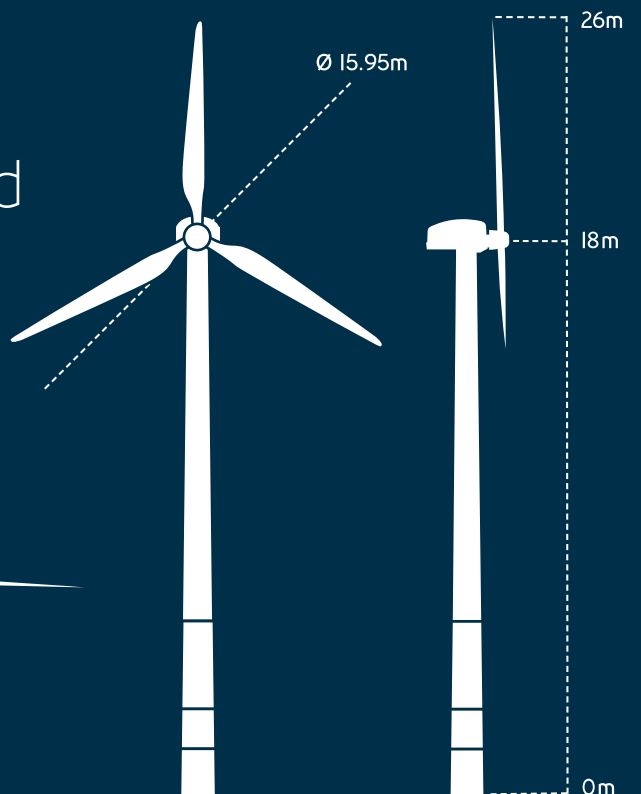
Solid wind power offers
our customers a **proven and
well-tested technology.**

Solid wind power

– Investors' best choice for small wind

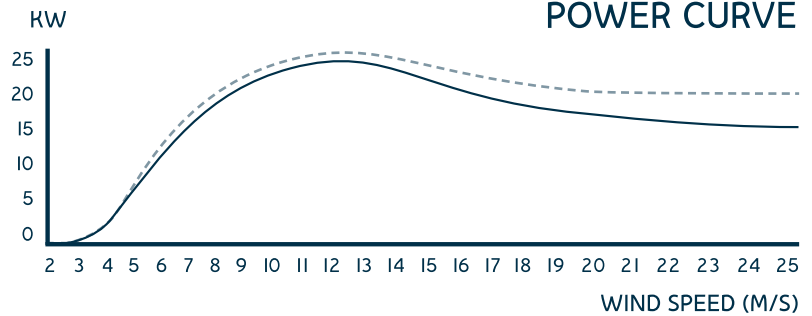


The result of our R&D is an innovative **SWP-25kW** wind turbine which is reliable, efficient and silent.

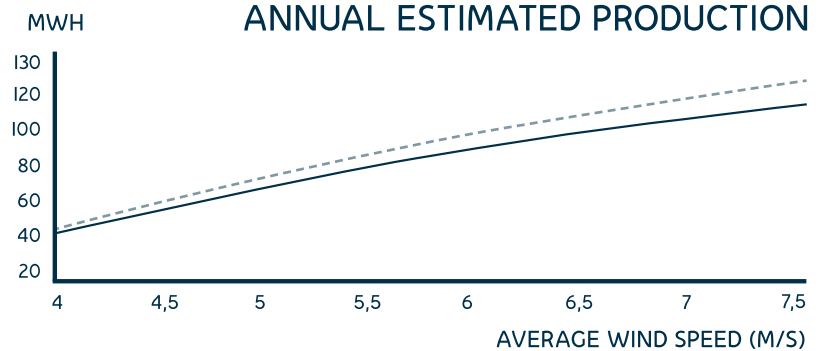




IEC61400-12 TESTED POWER CURVE



ANNUAL ESTIMATED PRODUCTION



16TV20 wind turbine - with Inverter = —
16TG20 wind turbine - without Inverter = - - - -

OUR BLADES

Ensuring high performance

Blades are the most important part of a wind turbine as they determine how much power will be harvested from the wind. To optimise the turbine, **Solid** wind power has developed its own state-of-the-art blade technology and designed high-performing blades. The blades are the backbone of one of the best LCOE performances (Levelized Cost of Energy) in the small wind turbine market. **Solid** wind power has developed and implemented a lightning protection system (blade tip and nacelle receptor, 600 Coulombs), which intercepts direct lightning strikes in order to prevent the turbine from sustaining mechanical damages. The system has been tested by a third party.

OUR EXPERIENCE

Ensuring reliability and quality

Denmark is the cradle of modern wind turbine technology, where our employees have grown up. Our engineers and technicians have used their extensive experience to design and produce wind turbines, using the newest technologies and tools.

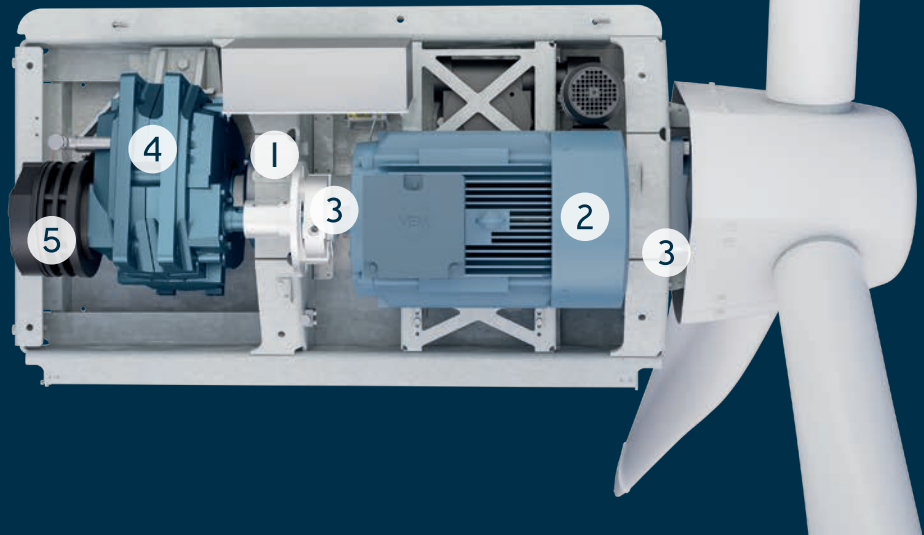
OUR SCADA SYSTEM

Ensuring easy maintenance

An advanced SCADA system has been created and tailored for **Solid** wind power turbines and is available in English. The SCADA system is remote controllable and adjustable by either the SCADA-APP or web access. Service technicians can easily restart turbines using either a PC or a cell phone. This maximises uptime of the turbine.

COMPONENTS

- 1 Main Shaft
- 2 Generator
- 3 Main Bearing
- 4 Gearbox
- 5 Brake System



TECHNICAL DATA

Wind class	IEC Class II
Rated power	19,8kW - 25kW
Rotor diameter	15.95 m
Hub height	18 m
Swept area	199.8 m ²
Nominal wind speed	10 m/s
Starting wind speed	3 m/s
Cut-out wind speed	25 m/s
Survival wind speed	59.5 m/s
Rotations per minute	Up to 51 RPM

GENERATOR

Manufacturer Germany

GEARBOX

Manufacturer Sweden

BLADES

Manufacturer Solid production - Denmark

CONTROLLER

Manufacturer Controller Orbital - Denmark

Manufacturer Inverter DVE Technologies - Denmark

YAWING SYSTEM

Manufacturer BJ gear - Denmark

WEIGHT

Nacelle incl. hub	1257 kg
Rotor	450 kg
Controller	290 kg
Inverter	70 kg
Tower (18 m) on tilt foot	3150 kg



Produced in Denmark 

Please visit www.solidwindpower.com for more in-depth information about the **SWP-25kW**

Solid wind power
Stålvej 8
6900 Skjern
Denmark

+45 97 32 33 22
mail@solidwindpower.com

solidgroupdk 

solid-group-dk 

Solid-group 